

## All-in-one UC Workstation Redefine Your Workspace

The Yealink WH66 is the Industry-leading DECT wireless headset, with WH66 Dual and WH66 Mono two models, opening an entirely new form of desktop collaboration. Work seamlessly with major UC platforms and integrate natively with Yealink IP Phones. 4.0 inch (480 x 800) capacitive touch screen of base offers newly work experience, just one touch, all control. Act as a workstation, managing phone calls, connecting with multiple devices (desk phone/mobile phone/computer), charging mobile phone wirelessly, and even playing a speakerphone's role. Best of all, deploying such a multifunctional workstation only needs to plug directly. Easiest things to do, greatest convenience to enjoy.



Acoustic Shield  
Technology



Optima Audio  
Experience



Touch Screen  
LCD



Multiple Devices  
Connection



Speakerphone  
Mode



Built-in USB  
Hub



Qi Wireless  
Charger



Customizable  
Busylight



WH66 Mono/Dual: Teams  
WH66 Mono/Dual: UC

### All-in-One UC Workstation

Desktop collaboration boosts efficiency a lot especially when Working from Home, but it can be also annoyed that the desktop is very messy with multiple device cables. Take control of your desktop collaboration environment with WH66:

- Connect all devices you want with built-in Bluetooth and USB ports.
- Expand PC's connectivity with 2-port USB 3.0 hub.
- Control all calls on the 4.0 inch (480 x 800) capacitive touch screen by simply finger touch.
- Function as a hand-free phone, freeing from wearing headset.
- Charge mobile phone wirelessly and transform it into a nice efficient conferencing device.

### Be Heard Crystal Clearly

With Yealink Acoustic Shield Technology, the two Microphones built in WH66 block the background noise automatically but ensure participant voice be heard clearly, greatly boost the communication efficiency.


### Interruption Free

Busylight is enabled in WH66. With the light on the headset or BLT60 on the desk turning red, people around you would know that you are on the phone, instead of interrupting you unknowingly. Just stay focused on conversation, for higher efficiency, for better collaboration.

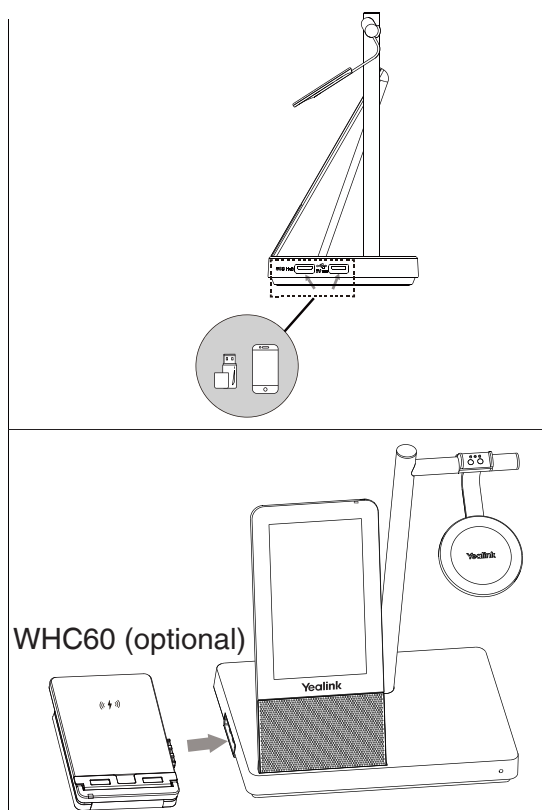
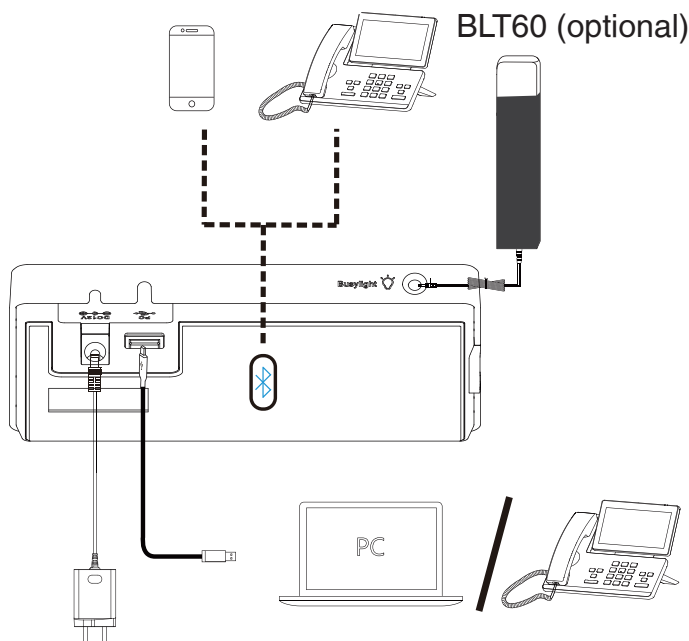


WH66 with charger  
\* Wireless charger is optional

- 4.0 inch (480 x 800) capacitive touch screen
- Yealink Acoustic Shield Technology
- 2-ports USB 3.0 hub
- Wireless mobile phone charger
- Crystal speakerphone
- Supports busylight
- Teams and Skype for Business compatible

<p><b>General</b></p> <ul style="list-style-type: none"> <li>• 4.0 inch (480 x 800) capacitive touch screen</li> <li>• 2 feature buttons</li> <li>• 1 Type-A USB 3.0 port</li> <li>• Built-in Bluetooth 4.2</li> <li>• Connectivity: USB 3.0 &amp; 2 x Bluetooth devices</li> <li>• Integrated busylight LED indicator</li> <li>• Built-in hub: 2 Type-A USB 3.0 ports</li> <li>• Boom arm adjustable: 320°</li> <li>• Charging stand (for headset)</li> </ul>	<ul style="list-style-type: none"> <li>• Microphone frequency range: 100 Hz-10 kHz</li> <li>• Speaker size: <math>\Phi</math> 28</li> <li>• Speaker sensitivity: 92.5+/-3 dB, 0.179 V</li> <li>• Speaker impedance: 32+/-4.8 <math>\Omega</math></li> <li>• Speaker max output power: 10 mW</li> <li>• Speaker frequency range: 20 Hz-20 kHz</li> <li>• Speaker bandwidth - talk mode: wideband, 100Hz – 8kHz</li> <li>• Speaker bandwidth - music mode: super wideband, 20Hz-20kHz (Pending)</li> <li>• Hearing Protection             <ul style="list-style-type: none"> <li>- Peak Block Protection (EN50332)</li> <li>- Australian G616 Protection (AU G616)</li> <li>- Daily Noise Exposure Protection</li> </ul> </li> </ul>	<ul style="list-style-type: none"> <li>• Microphone mute</li> <li>• Move the microphone boom arm up to mute, or down to unmute</li> </ul> <p><b>Package Features</b></p> <ul style="list-style-type: none"> <li>• Package contents:             <ul style="list-style-type: none"> <li>- WHB660 Base</li> <li>- WHM621 Headset or WHD622 Headset</li> <li>- Power Adapter</li> <li>- 2* 1m USB 3.0 Cable</li> <li>- Quick Start Guide</li> </ul> </li> <li>• Optional accessories:             <ul style="list-style-type: none"> <li>- Busylight BLT60</li> <li>- Wireless Charger</li> <li>- Bluetooth Dongle BT50</li> </ul> </li> </ul>
<p><b>Battery</b></p> <ul style="list-style-type: none"> <li>• Talk time: up to 13 hours (Mono), up to 14 hours (Dual)</li> <li>• Standby time: 90 hours (Mono), 125 hours (Dual)</li> <li>• Charging time: 2.5 hours (12V/2A)</li> </ul>	<p><b>Audio (Base)</b></p> <ul style="list-style-type: none"> <li>• Microphone type: ECM Omnidirectional microphone</li> <li>• Microphone sensitivity: -38.0+/-2 dBV</li> <li>• Microphone frequency range: 70 Hz-20 kHz</li> <li>• Speaker size: 40mm*20.8mm</li> <li>• Speaker sensitivity: 97+/-3 dB</li> <li>• Speaker impedance: 4 <math>\Omega</math>+/-15%</li> <li>• Speaker max output power: 4 W</li> <li>• Speaker frequency range: 160 Hz-20 kHz</li> </ul>	<ul style="list-style-type: none"> <li>• WH66 Mono: Base: 398g, Headset: 80g</li> <li>• WH66 Dual: Base: 398g, Headset: 127g</li> <li>• N.W/CTN:             <ul style="list-style-type: none"> <li>WH66 Mono: 10.46 kg; WH66 Dual: 10.96 kg</li> </ul> </li> <li>• Giftbox size: 255mm*204mm*135mm</li> <li>• Carton Meas: 698mm*421mm*265mm</li> </ul>
<p><b>DECT</b></p> <ul style="list-style-type: none"> <li>• Wireless range: up to 160m/525feet</li> <li>• Secure DECT (level): Step C: authentication – DSAA2, encryption – DSC2 (128bit)</li> <li>• Cordless Advanced Technology: CAT-iq 2.0</li> </ul>	<p><b>Easy Call Management</b></p> <ul style="list-style-type: none"> <li>• Answer/End/Reject a call</li> <li>• Volume up/down</li> </ul>	<p><b>Compliance</b></p> <p>CE  FC IC</p>
<p><b>Audio (Headset)</b></p> <ul style="list-style-type: none"> <li>• Microphone type: dual microphone</li> <li>• Microphone sensitivity: -44.0+/-3 dBV</li> </ul>		

## Connection



## About Yealink

Yealink (Stock Code: 300628) is a global brand that specializes in video conferencing, voice communications and collaboration solutions with best-in-class quality, innovative technology and user-friendly experience. As one of the best providers in more than 140 countries and regions, Yealink ranks No.1 in the global market share of SIP phone shipments (Global IP Desktop Phone Growth Excellence Leadership Award Report, Frost & Sullivan, 2019).

## Copyright

Copyright © 2020 YEALINK(XIAMEN) NETWORK TECHNOLOGY CO., LTD.

Copyright © 2020 Yealink(Xiamen) Network Technology CO., LTD. All rights reserved. No parts of this publication may be reproduced or transmitted in any form or by any means, electronic or mechanical, photocopying, recording, or otherwise, for any purpose, without the express written permission of Yealink(Xiamen) Network Technology CO., LTD.

## Technical Support

Visit Yealink WIKI (<http://support.yealink.com/>) for firmware downloads, product documents, FAQ, and more. For better service, we sincerely recommend you to use Yealink Ticketing system (<https://ticket.yealink.com>) to submit all your technical issues.



YEALINK(XIAMEN) NETWORK TECHNOLOGY CO.,LTD.  
Web: [www.yealink.com](http://www.yealink.com)  
Addr: No.1 Ling-Xia North Road, High Tech Park,  
Huli District, Xiamen, Fujian, P.R.C  
Copyright©2020 Yealink Inc. All right reserved.